

## ASSEMBLY INSTRUCTIONS

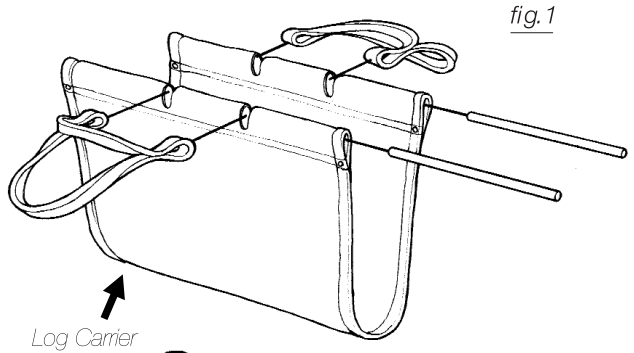
Dear Valued Customer:

Thank you for purchasing this quality hearth accessory from Pilgrim Home & Hearth!

Please visit [www.pilgrimhearth.com](http://www.pilgrimhearth.com) to activate your warranty registration.

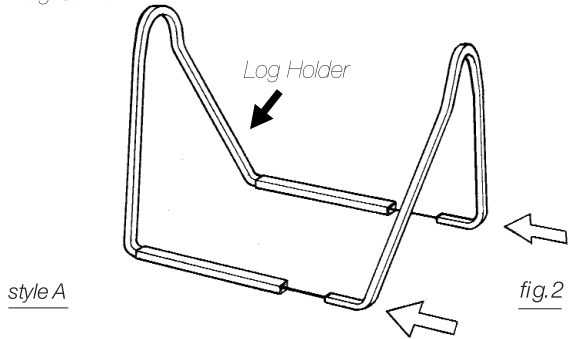
### STEP 1

Insert wooden dowel through end fold of carrier up to 1st hole. Insert handle loop in 1st hole and push dowel through. Repeat for 2nd hole and continue pressing dowel through until it reaches hemmed edge of carrier. Repeat for other side of carrier. (Fig 1)



### STEP 2

Install connector tubes over bottom prongs of your frame style, A or B. Then connect unattached tube ends to opposite frame. Tap in to secure. (Fig 2)

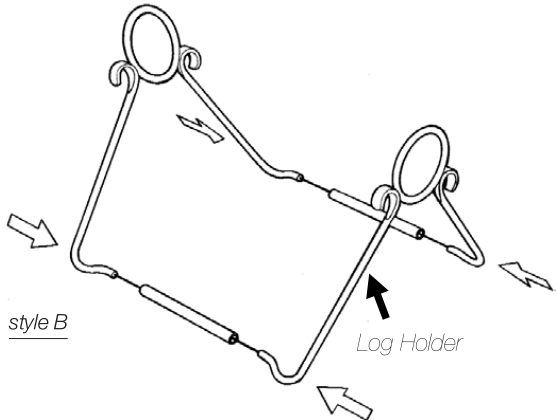


### STEP 3

Loop carrier short handles over top of frame for a snug fit.

### \* Custom Embroidery

Call 1-800-227-1044  
For Information  
about custom  
monograms for  
leather log carriers



## Log Holder / Log Carrier

Item# 18516  
Item# 18517