

ASSEMBLY INSTRUCTIONS

Dear Valued Customer:

Thank you for purchasing this quality hearth accessory from Pilgrim Home & Hearth!

Please visit www.pilgrimhearth.com to activate your warranty registration.

STEP 1

Place body of holder on back with the lid partially open. Align top handle, insert and tighten screws. (Fig 1)

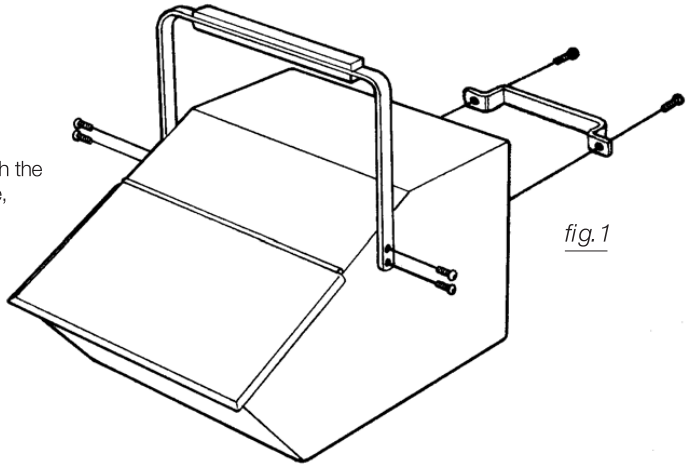
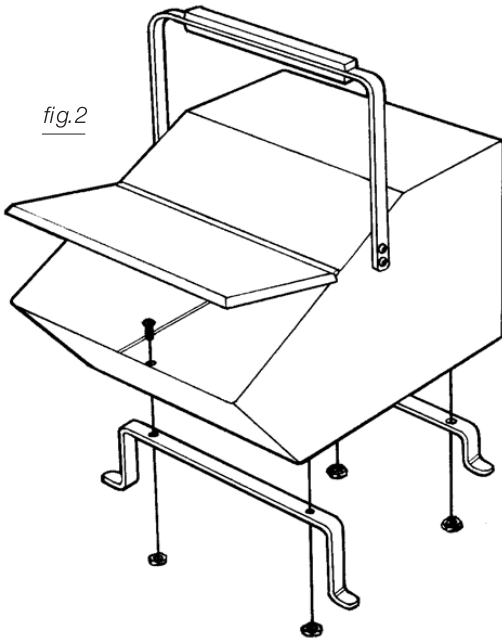


fig. 2



STEP 2

Align front and rear legs. Shorter leg goes to the back. Insert and tighten screws (Fig 2)

STEP 3

Place holder upright and attach rear handle.

Ash Holder

Item# 18500