



## Screen Assembly Instructions

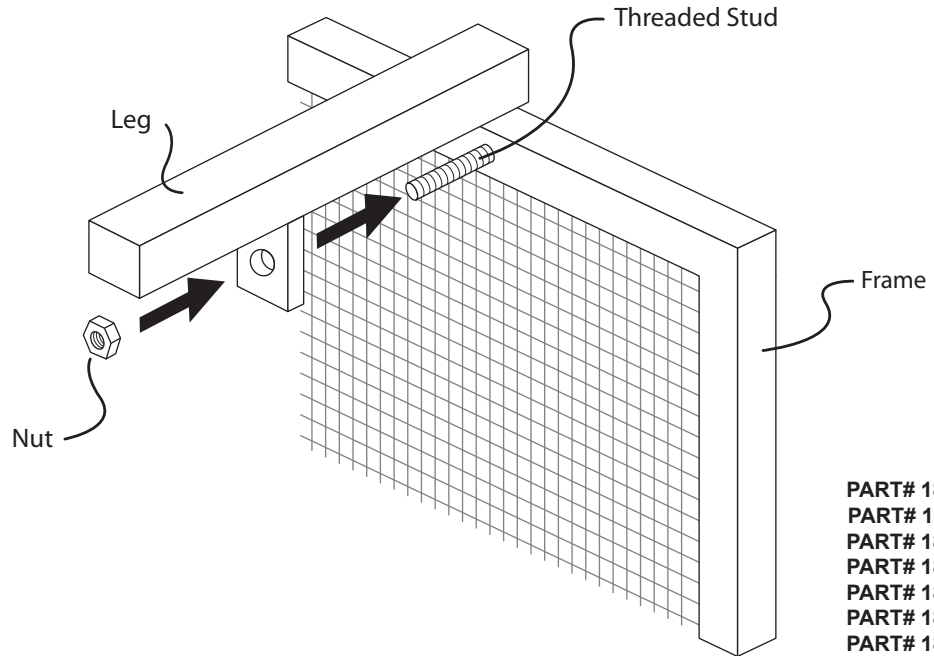
### Parts Included

Frame x1  
Legs x2  
Nuts x2

### Step 1

Place the Frame upside down on a soft surface so that the 2 Threaded Studs are facing up. Align Legs to Threaded Studs and secure with the Nuts provided.

**NOTE:** The long half of the Leg faces forward.



**BACK OF SCREEN FRAME SHOWN IN ILLUSTRATION**

PART# 18310  
PART# 18311  
PART# 18312  
PART# 18313  
PART# 18314  
PART# 18319  
PART# 18321  
PART# 18322  
PART# 19264  
PART# 19265