



Contemporary Summer Screen Assembly Instructions

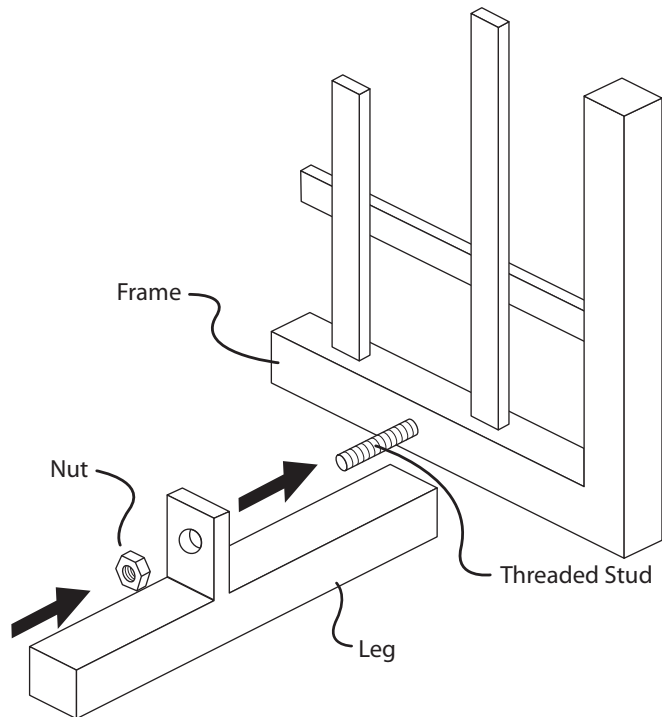
Parts Included

Frame x1
Legs x2
Nuts x2

Step 1

Align Legs to Theaded Studs and secure with the Nuts provided.

NOTE: The long half of the Leg faces forward.



BACK OF SCREEN FRAME SHOWN IN ILLUSTRATION

PART# 18267
PART# 18268
PART# 18269
PART# 18332
PART# 18333