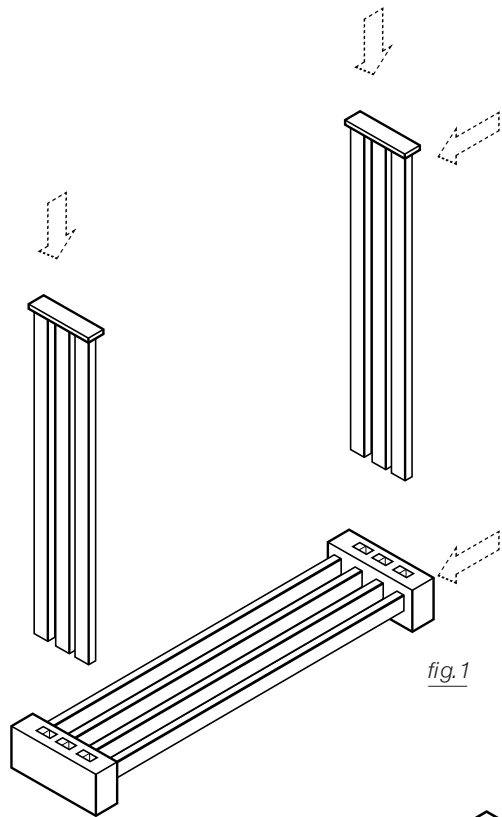


ASSEMBLY INSTRUCTIONS

For your Pilgrim Hearth Wares Product



STEP 1

Set the base flat with the rectangular holes facing up, as shown in Fig 1.

STEP 2

Align the vertical bars on the side braces with their corresponding holes in the base, and push them down as far as they will go. This may require some firm tapping. Your Firewood Rack is now ready for use. (Fig 2.)

fig.1

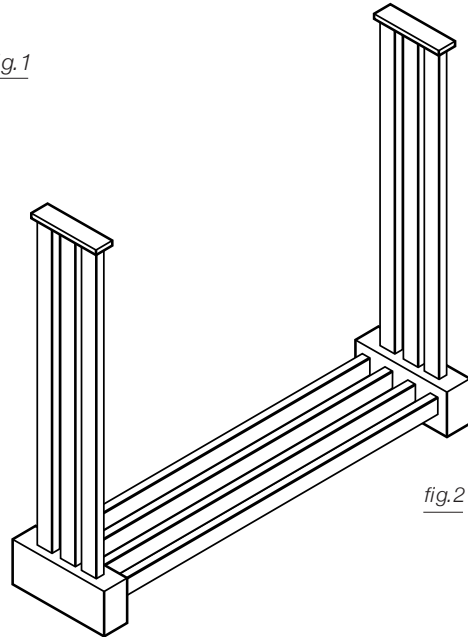


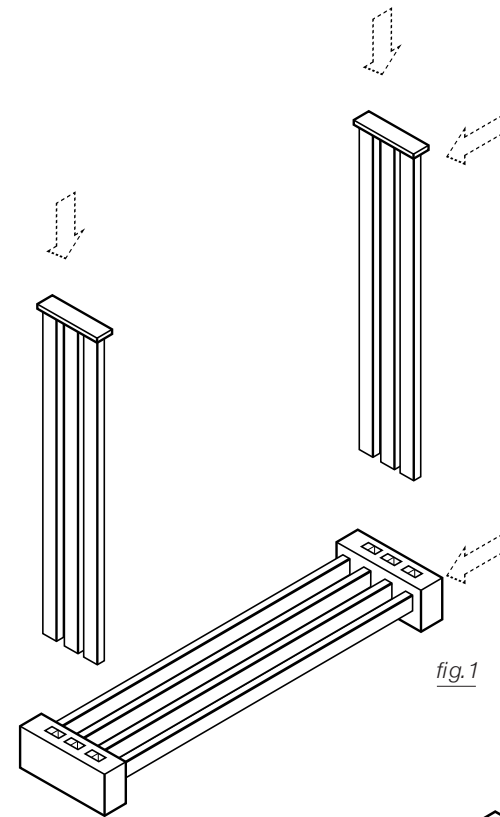
fig.2

WH150


PILGRIM

ASSEMBLY INSTRUCTIONS

For your Pilgrim Hearth Wares Product



STEP 1

Set the base flat with the rectangular holes facing up, as shown in Fig 1.

STEP 2

Align the vertical bars on the side braces with their corresponding holes in the base, and push them down as far as they will go. This may require some firm tapping. Your Firewood Rack is now ready for use. (Fig 2.)

fig.1

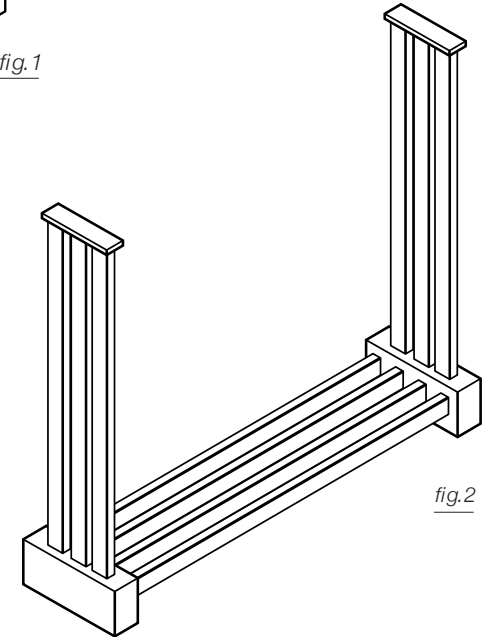


fig.2

WH150


PILGRIM