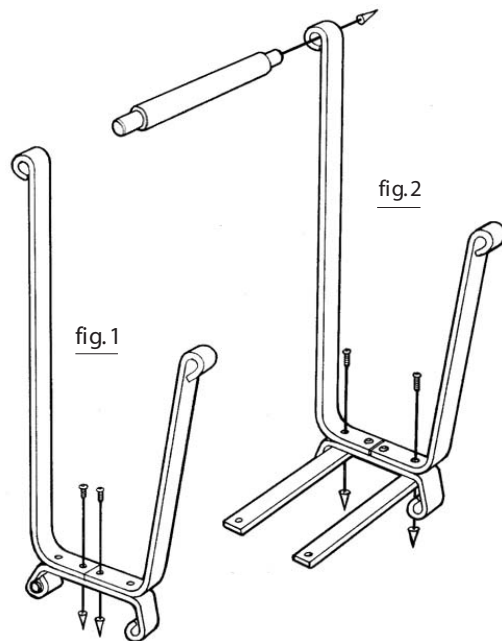


# ASSEMBLY INSTRUCTIONS

For your Pilgrim Hearth Wares Product

## STEP 1

Align long upright with foot and loosely insert shorter bolt into 2nd hole from axle holder in foot. (Fig 1)



## STEP 2

Align shorter upright with foot and loosely insert shorter screw through 3rd hole of foot.

## STEP 3

Repeat steps 1 & 2 for opposite side.

## STEP 4

Align and loosely attach from the top the cross brace to bottom side of foot and frame using longer screw. Insert into 1st hole. Align and loosely insert screw into other cross brace using 4th hole, same side. (Fig 2)

## STEP 5

Insert handle into top loop of long upright. Repeat for opposite side. (Fig 2)

## STEP 6

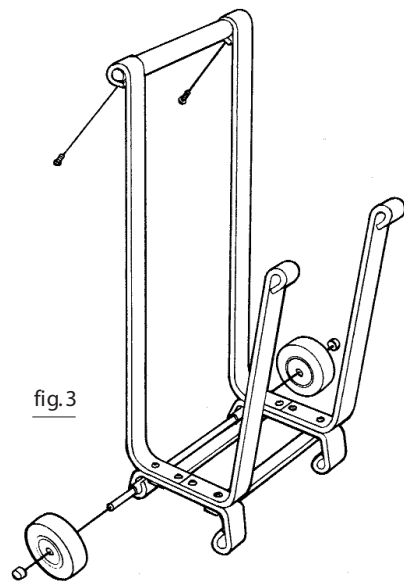
Align and attach from the top the cross braces to bottom of completed side frame following step 4.

## STEP 7

Tighten all screws.

## STEP 8

Stand frame on short bars. Place axle cap on end of axle rod. Tap end cap to secure. Slide wheel on axle rod to axle cap. Slide axle rod through bushings on both feet. Slide wheel over axle rod end and install axle cap. Tap axle cap for proper fit. (Fig. 3)

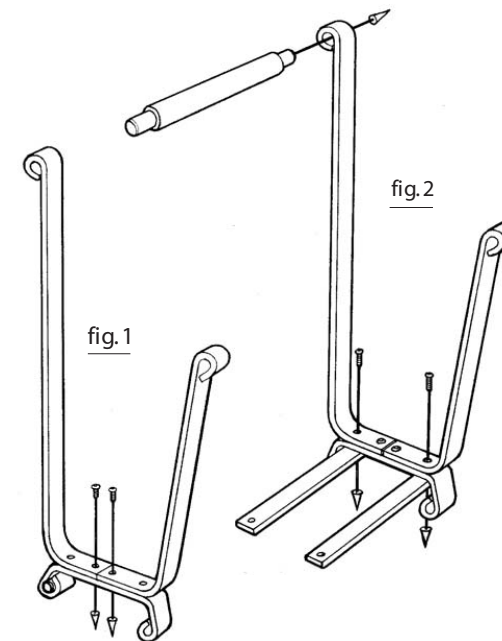


# ASSEMBLY INSTRUCTIONS

For your Pilgrim Hearth Wares Product

## STEP 1

Align long upright with foot and loosely insert shorter bolt into 2nd hole from axle holder in foot. (Fig 1)



## STEP 2

Align shorter upright with foot and loosely insert shorter screw through 3rd hole of foot.

## STEP 3

Repeat steps 1 & 2 for opposite side.

## STEP 4

Align and loosely attach from the top the cross brace to bottom side of foot and frame using longer screw. Insert into 1st hole. Align and loosely insert screw into other cross brace using 4th hole, same side. (Fig 2)

## STEP 5

Insert handle into top loop of long upright. Repeat for opposite side. (Fig 2)

## STEP 6

Align and attach from the top the cross braces to bottom of completed side frame following step 4.

## STEP 7

Tighten all screws.

## STEP 8

Stand frame on short bars. Place axle cap on end of axle rod. Tap end cap to secure. Slide wheel on axle rod to axle cap. Slide axle rod through bushings on both feet. Slide wheel over axle rod end and install axle cap. Tap axle cap for proper fit. (Fig. 3)

