

ASSEMBLY INSTRUCTIONS

For your Pilgrim Hearth Wares Product

STEP 1

Attach one axle cap on end of axle rod. Tap with hammer to secure. Slide one wheel over axle to axle cap.

STEP 2

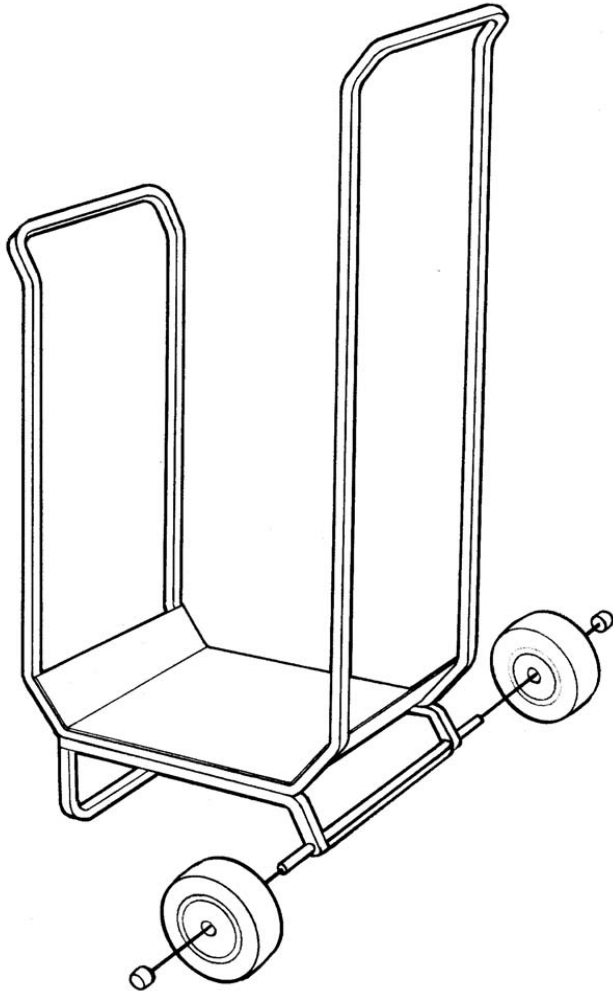
Lay cart on side with the axle pointing up. Insert axle rod through square tubing.

STEP 3

Slide wheel over other end of axle and install 2nd axle cap.

STEP 4

Tap axle cap to secure.



ASSEMBLY INSTRUCTIONS

For your Pilgrim Hearth Wares Product

STEP 1

Attach one axle cap on end of axle rod. Tap with hammer to secure. Slide one wheel over axle to axle cap.

STEP 2

Lay cart on side with the axle pointing up. Insert axle rod through square tubing.

STEP 3

Slide wheel over other end of axle and install 2nd axle cap.

STEP 4

Tap axle cap to secure.

