

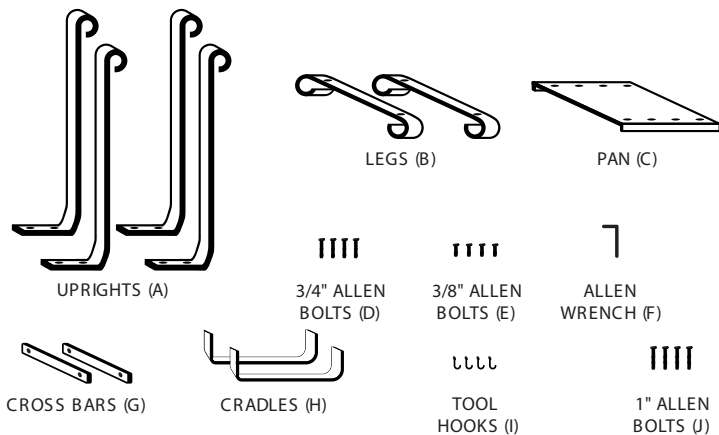
ASSEMBLY INSTRUCTIONS

For your Pilgrim Hearth Wares Product

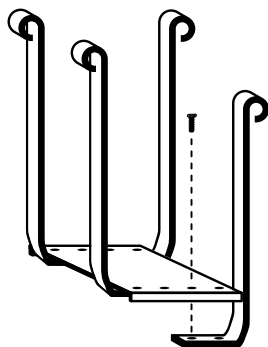
CONTENTS:

This package contains the following pieces:

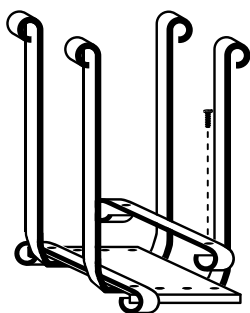
- (A) 4 Uprights
- (B) 2 Legs
- (C) 1 Pan
- (D) 4 3/4" Allen Bolts
- (E) 4 3/8" Allen Bolts
- (F) 1 Allen Wrench
- (G) 2 Cross Bars
- (H) 2 Cradles
- (I) 4 Tool Hooks
- (J) 4 1" Allen Bolts



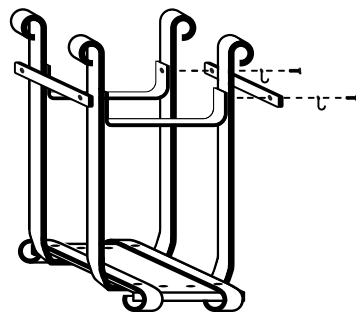
ASSEMBLY:



- STEP 1**
UPRIGHT ASSEMBLY
 Take a (3/8") allen bolt (E), pass it thru the inside hole of pan (C), (pan lip down) and screw into upright (A). Do not tighten. Repeat for remaining 3 uprights.



- STEP 2**
LEG ASSEMBLY
 Using a (3/4") allen bolt (D), pass bolt thru leg (B) and screw into upright (A). Repeat for other legs (B). Now align and tighten all 8 bolts.



- STEP 3**
CROSS BAR ASSEMBLY
 Using a (1") allen bolt (J), pass it first thru hook (I), then thru cross bar (G), upright (A) and finally screw into cradle (H). Gently tighten. Repeat for other side.

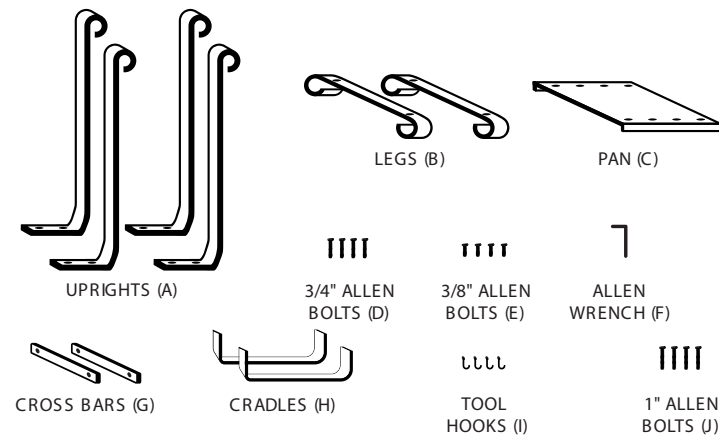
ASSEMBLY INSTRUCTIONS

For your Pilgrim Hearth Wares Product

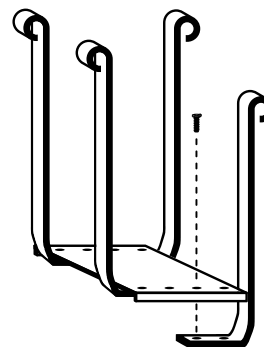
CONTENTS:

This package contains the following pieces:

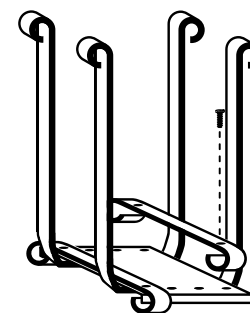
- (A) 4 Uprights
- (B) 2 Legs
- (C) 1 Pan
- (D) 4 3/4" Allen Bolts
- (E) 4 3/8" Allen Bolts
- (F) 1 Allen Wrench
- (G) 2 Cross Bars
- (H) 2 Cradles
- (I) 4 Tool Hooks
- (J) 4 1" Allen Bolts



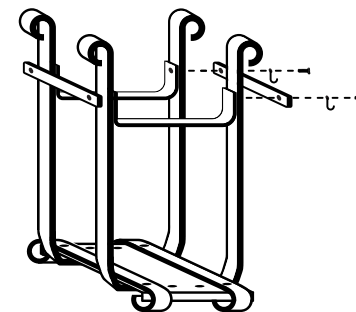
ASSEMBLY:



- STEP 1**
UPRIGHT ASSEMBLY
 Take a (3/8") allen bolt (E), pass it thru the inside hole of pan (C), (pan lip down) and screw into upright (A). Do not tighten. Repeat for remaining 3 uprights.



- STEP 2**
LEG ASSEMBLY
 Using a (3/4") allen bolt (D), pass bolt thru leg (B) and screw into upright (A). Repeat for other legs (B). Now align and tighten all 8 bolts.



- STEP 3**
CROSS BAR ASSEMBLY
 Using a (1") allen bolt (J), pass it first thru hook (I), then thru cross bar (G), upright (A) and finally screw into cradle (H). Gently tighten. Repeat for other side.