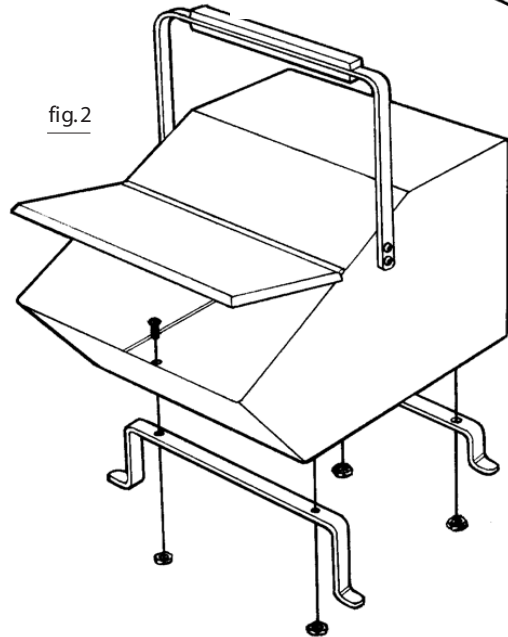
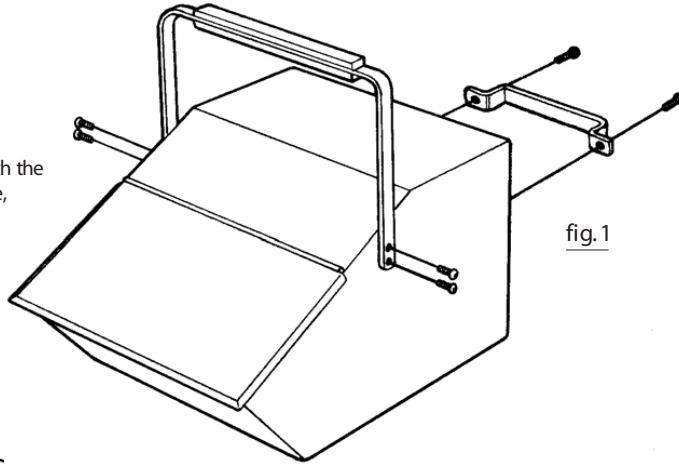


ASSEMBLY INSTRUCTIONS

For your Pilgrim Hearth Wares Product

STEP 1

Place body of holder on back with the lid partially open. Align top handle, insert and tighten screws. (Fig 1)



STEP 2

Align front and rear legs. Shorter leg goes to the back. Insert and tighten screws (Fig 2)

STEP 3

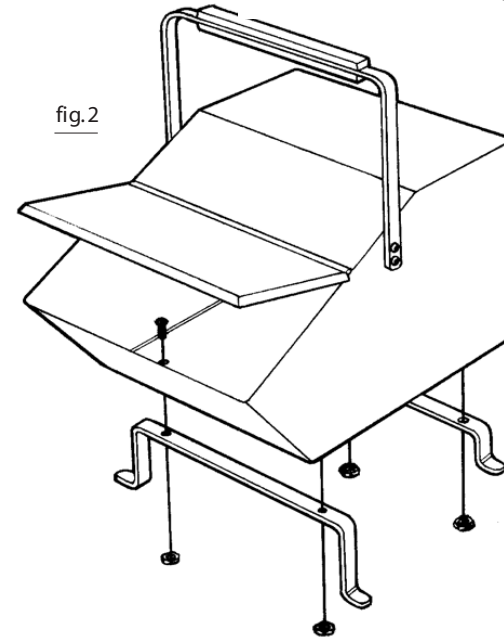
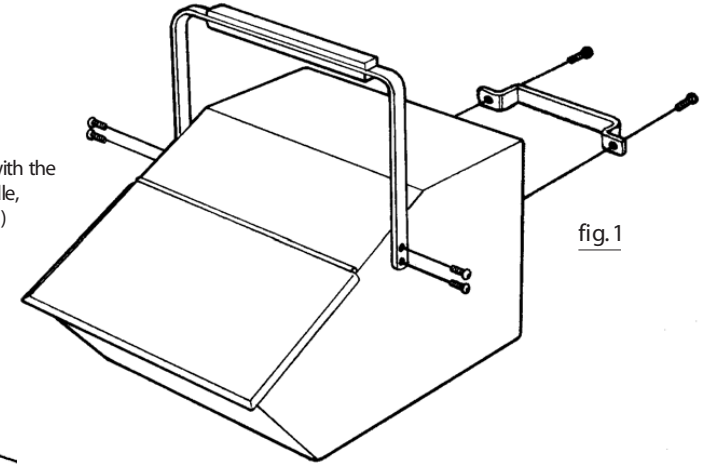
Place holder upright and attach rear handle.

ASSEMBLY INSTRUCTIONS

For your Pilgrim Hearth Wares Product

STEP 1

Place body of holder on back with the lid partially open. Align top handle, insert and tighten screws. (Fig 1)



STEP 2

Align front and rear legs. Shorter leg goes to the back. Insert and tighten screws (Fig 2)

STEP 3

Place holder upright and attach rear handle.